

PROFESSIONAL AUDIO/VIDEO

SOLUTIONS BY AVPRO

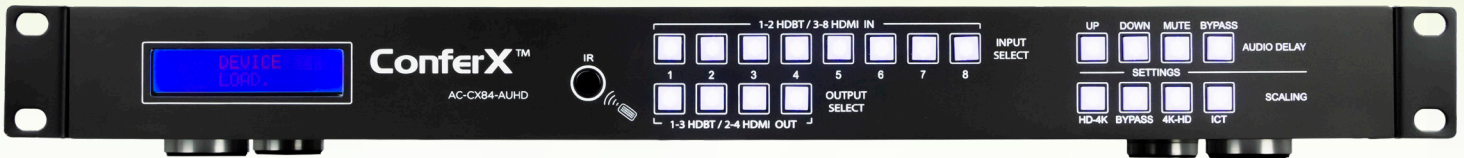
ConferX™

BY AVPro edge

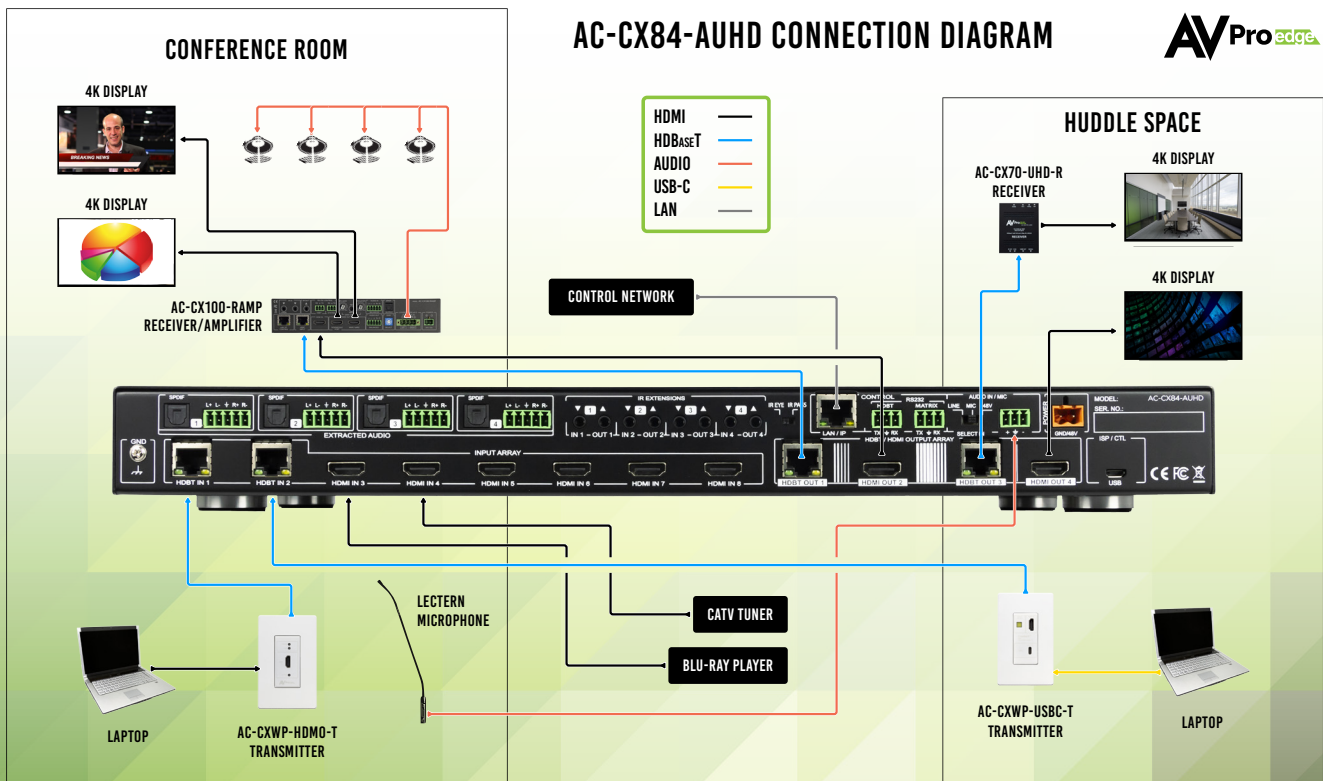
AC-CX84-AUHD

8 INPUT, 4 OUTPUT HDMI & HDBASET
CLASSROOM/CONFERENCE ROOM MATRIX
FEATURING QUICK SWITCH

HDBT™ HDMI®
HIGH-DEFINITION MULTIMEDIA INTERFACE



The ConferX 8x4 Matrix Switcher is the ideal solution for any conference room, classroom or huddle space. This 4K switcher can display any of the eight sources through both the HDBaseT and HDMI output ports. All four of the outputs are completely independent of each other allowing the user to show four sources at the same time. With additional audio inputs and outputs, working with a microphone or intercom system will not be a problem. When you need a stable solution for video distribution, look to the entire line of ConferX products. With four HDBaseT inputs this switch works alongside two directly connected ConferX Wall Plate Transmitters. You can have Mini DisplayPort, HDMI, VGA or USB-C inputs located up to 100 meters away from the AC-CX84-AUHD. With the Quick Switch feature these remote sources still switch at the same time as a local HDMI source, keeping your system running smoothly. This allows a teacher or presenter to use their laptop directly at the podium or presenters' station without having to connect anything to the matrix switcher. This switch also features mirror mode, allowing the same source to be played through the HDMI and HDBaseT ports that are side by side. This turns your 8x4 into an 8x2 with mirrored HDMI and HDBaseT outputs. The AC-CX84-AUHD gives any end user a simplified experience for sharing their ideas inside a classroom, conference room or huddle space.



PROFESSIONAL AUDIO/VIDEO

SOLUTIONS BY AVPRO

ConferX™

BY AVPro edge



AC-CX84-AUHD PRODUCT SPECIFICATIONS

VIDEO:	
VIDEO RESOLUTIONS	UP TO 4K 60HZ 4:2:0 & 4K30 4:4:4
VESA RESOLUTIONS	UP TO 2560X2048 (QSXGA)
HDR FORMATS/RESOLUTIONS	4K24 4:2:2 12 BIT, 4K24 4:2:0 10 BIT
COLOR SPACE	YUV (COMPONENT), RGB (CSC: REC. 601, REC. 709, BT2020, DCI, P3 D6500)
CHROMA SUBSAMPLING	4:4:4, 4:2:2, 4:2:0 SUPPORTED
DEEP COLOR	UP TO 16 BIT (1080), UP TO 12 BIT (4K)
AUDIO:	
AUDIO FORMATS SUPPORTED HDMI	PCM 2.0 CH, LPCM 5.1 & 7.1, DOLBY DIGITAL, DTS 5.1, DOLBY DIGITAL PLUS, DOLBY TRUEHD, DTS-HD MASTER AUDIO, DTS-X, DOLBY ATMOS
AUDIO FORMATS SUPPORTED EXTRACTED (TOSLINK)	PCM 2.0 CH, LPCM 6 CH, LPCM 7 CH, DOLBY DIGITAL, DOLBY DIGITAL PLUS, DTS- MASTER AUDIO
AUDIO FORMATS SUPPORTED EXTRACTED (2CH PORT)	PCM 2 CH (NO DOWNMIX)
AUDIO EXTRACTION LOCATION	BIND TO INPUT, BIND TO OUTPUT OR MATRIX (INDEPENDENT)
AUDIO DELAY (PER OUTPUT, EXTRACTED)	UP TO 630MS
DISTANCE:	
AC-CXWP-HDMO-T (10.2 GBPS)	100 METERS 1080P, 70 METERS 4K@10.2 GBPS (CAT 6A)
AC-CXWP-MDP-T (10.2 GBPS)	100 METERS 1080P, 70 METERS 4K@10.2 GBPS (CAT 6A)
AC-CXWP-VGA-T (10.2 GBPS)	100 METERS 1080P, 70 METERS 4K@10.2 GBPS (CAT 6A)
AC-CX100-RAMP (18 GBPS)	100 METERS 1080P, 70 METERS 4K@18 GBPS (CAT 6A)
AC-EX70-444-RNE (18 GBPS)	100 METERS 1080P, 70 METERS 4K@18 GBPS (CAT 6A)
AC-EX100-UHD-R3 (10.2 GBPS)	100 METERS 1080P, 70 METERS 4K@18 GBPS (CAT 6A)
AC-EX70-SC2-R (18 GBPS)	100 METERS 1080P, 70 METERS 4K@18 GBPS (CAT 6A)
OTHER:	
BANDWIDTH HDMI	18 GBPS UNCOMPRESSED
BANDWIDTH HDBASET	(SEE OPTIONS UNDER DISTANCE DIRECTLY ABOVE)
HDCP	HDCP 2.2 AND EARLIER
POH FOR RECEIVERS (NO NEED TO POWER RECEIVERS)	YES, ALL OUTPUTS
CONTROL:	
PORTS	LAN, RS232, IR, MICRO USB
LAN WEBOBS	YES
PORTS:	
HDMI	TYPE A
LAN	RJ45 W/ WEB INTERFACE/ CONTROL
AUDIO (EXTRACTED DIGITAL)	TOSLINK
AUDIO (EXTRACTED ANALOG)	5 PIN TERMINAL BLOCK (BALANCED)
IR RX	3.5MM STEREO (3-CONDUCTOR)
RS232	3 PIN TERMINAL BLOCK
ENVIRONMENTAL:	
OPERATING TEMPRATURE	23 TO 125°F (-5 TO 51°C)
STORAGE TEMPRATURE	-4 TO 140°F (-20 TO 60°C)
HUMIDITY RANGE	5-90% RH (NO CONDENSATION)
POWER:	
POWER CONSUMPTION (TOTAL)	65 WATTS MAX
POWER SUPPLY - MATRIX	INPUT: AC 100-240V ~ 50/60HZ OUTPUT: DC 48V 2.7A
DIMENSIONS:	
DIMENSIONS (UNIT ONLY - HEIGHT/DEPTH/WIDTH)	MM: 50.8 X 260.35 X 441.33 INCH: 2 X 10.25 X 17.375
DIMENSIONS (PACKAGED LENGTH/WIDTH/HEIGHT)	MM: 88.9 X 444.5 X 495.3 INCH: 3.5 X 17.5 X 19.5
RACK UNITS	1 UNIT
WEIGHT (UNIT)	7.4 LBS (3.36 KG)
WEIGHT (PACKAGED)	9.6 LBS (4.35 KG)

*SPECIFICATIONS SUBJECT TO CHANGE WITHOUT NOTICE. MASS & DIMENSIONS ARE APPROXIMATE

PACKAGE CONTENTS:



COMPATIBLE TRANSMITTERS:



AC-CXWP-MDP-T



AC-CXWP-USBC-T



AC-CXWP-VGA-T



AC-CXWP-HDMO-T

COMPATIBLE RECEIVERS:



AC-EX100-UHD-R3



AC-CX100-RAMP



AC-EX70-SC2-R



AC-EX70-444-RNE